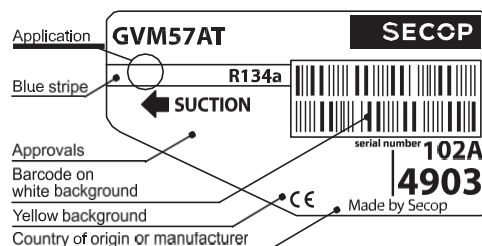


GVM57AT

Energy-optimized Tropical Compressor

R134a

220-240V 50Hz



General

Code number	102A4903
Approvals	EN 60335-2-34 with Annex AA
Compressors on pallet	125

Application

Application	Hz	LBP	
		50	60
Frequency	Hz	50	60
Evaporating temperature	°C	-35 to -10	-
Voltage range	V	187 - 254	-
Max. condensing temperature continuous (short)	°C	60 (70)	-
Max. winding temperature continuous (short)	°C	125 (135)	-

Cooling requirements

Frequency	Hz	50			60		
		LBP	MBP	HBP	LBP	MBP	HBP
32°C		S	-	-	-	-	-
38°C		S	-	-	-	-	-
43°C		S	-	-	-	-	-
Remarks on application:							

- S = Static cooling normally sufficient
- O = Oil cooling
- F₁ = Fan cooling 1.5 m/s
(compressor compartment temperature equal to ambient temperature)
- F₂ = Fan cooling 3.0 m/s necessary
- SG = Suction gas cooling normally sufficient
- = not applicable in this area

Motor

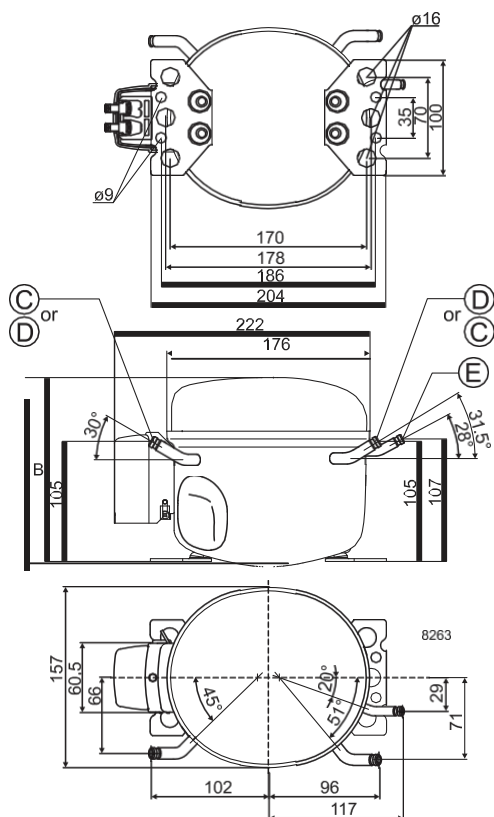
Motor type	RSIR/RSCR/CSIR	
LRA (rated after 4 sec. UL984), HST LST	A	5.9 5.5
Cut in Current, HST LST	A	5.9 10.1
Resistance, main start winding (25°C)	Ω	13.2 14.8

Design

Displacement	cm ³	5.70
Oil quantity (type)	cm ³	180 (polyolester)
Maximum refrigerant charge	g	400
Free gas volume in compressor	cm ³	1790
Weight without electrical equipment	kg	7.5

Dimensions

Height	mm	A	173
		B	169
		B1	-
		B2	-
Suction connector	location/I.D. mm angle	C	6.2 30°
	material comment	Copper Rubber plug	
Process connector	location/I.D. mm angle	D	6.2 31.5°
	material comment	Copper Rubber plug	
Discharge connector	location/I.D. mm angle	E	5.0 28°
	material comment	Copper Rubber plug	
Oil cooler connector	location/I.D. mm angle	F	-
	material comment	-	
Connector tolerance	I.D. mm	±0.09, on 5.0 +0.12/+0.20	
Remarks:			



EN 12900 Household (CECOMAF) 220V, 50Hz, 2 W PTC consumption incl., static cooling

Evap. temp in °C	-45	-40	-35	-30	-25	-23.3	-20	-15	-10	-6.7	-5	0	5	7.2	10	15	20
Capacity in W			66.3	90.3	120	132	156	200	253								
Power cons. in W			90.0	105	120	125	136	152	170								
Current cons. in A			0.89	0.92	0.96	0.97	1.00	1.06	1.13								
COP in W/W			0.74	0.86	1.00	1.05	1.15	1.32	1.48								

EN 12900 Household (CECOMAF) 220V, 50Hz, RC 4µF, 2 W PTC consumption incl., static cooling

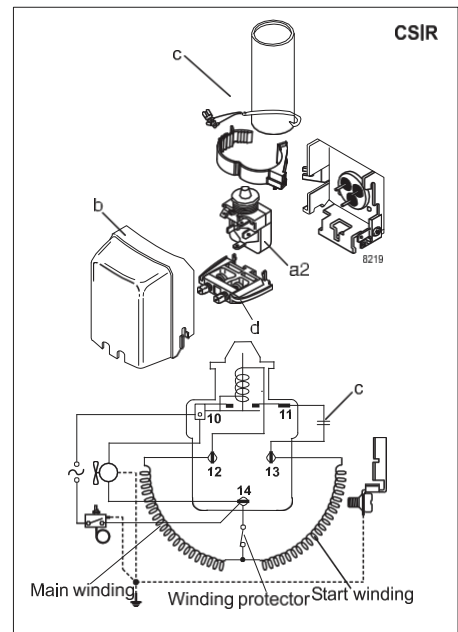
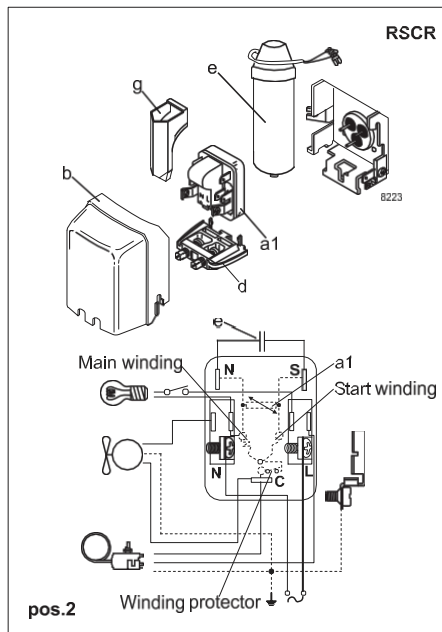
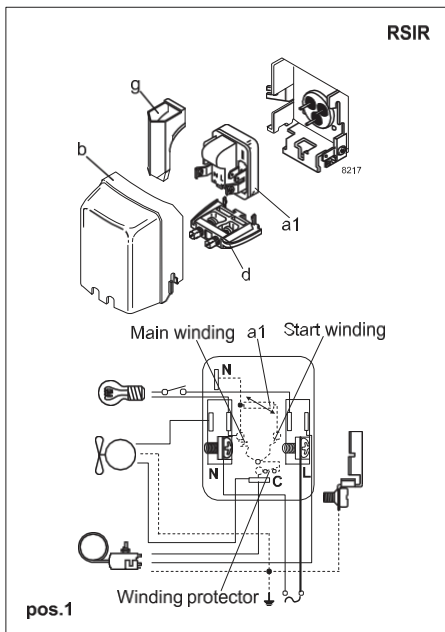
Evap. temp in °C	-45	-40	-35	-30	-25	-23.3	-20	-15	-10	-6.7	-5	0	5	7.2	10	15	20
Capacity in W			66.3	90.3	120	132	156	200	253								
Power cons. in W			87.6	101	115	120	130	146	163								
Current cons. in A			0.61	0.65	0.70	0.71	0.75	0.82	0.89								
COP in W/W			0.76	0.89	1.04	1.09	1.20	1.37	1.55								

ASHRAE LBP 220V, 50Hz, 2 W PTC consumption incl., static cooling

Evap. temp in °C	-45	-40	-35	-30	-25	-23.3	-20	-15	-10	-6.7	-5	0	5	7.2	10	15	20
Capacity in W			82.3	112	149	163	194	248	314								
Power cons. in W			90.1	105	120	125	135	152	170								
Current cons. in A			0.89	0.92	0.96	0.97	1.00	1.06	1.12								
COP in W/W			0.91	1.07	1.24	1.31	1.43	1.64	1.85								

ASHRAE LBP 220V, 50Hz, RC 4µF, 2 W PTC consumption incl., static cooling

Evap. temp in °C	-45	-40	-35	-30	-25	-23.3	-20	-15	-10	-6.7	-5	0	5	7.2	10	15	20
Capacity in W			82.3	112	149	163	194	248	314								
Power cons. in W			87.8	101	115	120	130	145	162								
Current cons. in A			0.61	0.65	0.69	0.71	0.75	0.81	0.89								
COP in W/W			0.94	1.10	1.29	1.36	1.49	1.71	1.94								



Accessories for	GVM57AT	Figure	Code number	Test conditions	EN 12900/CECOMAF	ASHRAE
PTC starting device	6.3 mm spade connectors	a1 (pos. 1)	103N0011	Condensing temperature	55°C	54.4°C
	4.8 mm spade connectors		103N0018	Ambient temperature	32°C	32°C
PTC starting device	6.3 mm spade connectors	a1 (pos. 2)	103N0016	Suction gas temperature	32°C	32°C
	4.8 mm spade connectors		103N0021	Liquid temperature	no subcooling	32°C
Starting relay	6.3 mm spade connectors	a2	117U6004			
Start capacitor 60 µF	6.3 mm spade connectors	c	117U5014			
Cover		b	103N2010			
Cord relief		d	103N1010			
Run capacitor	6.3 mm spade connectors	e	117-7117			
4 µF (optional)	4.8 mm spade connectors		117-7119			
Protection screen for PTC		g	103N0476			
				Mounting accessories		Code number
				Bolt joint for one comp.	Ø: 16 mm	118-1917
				Bolt joint in quantities	Ø: 16 mm	118-1918
				Snap-on in quantities	Ø: 16 mm	118-1919

Secop can accept no responsibility for possible errors in catalogues, brochures and other printed material. Secop reserves the right to alter its products without notice. This also applies to products already on order provided that such alterations can be made without subsequent changes being necessary in specifications already agreed. All trademarks in this material are property of the respective companies. Secop and the Secop logotype are trademarks of Secop GmbH. All rights reserved. www.secop.com